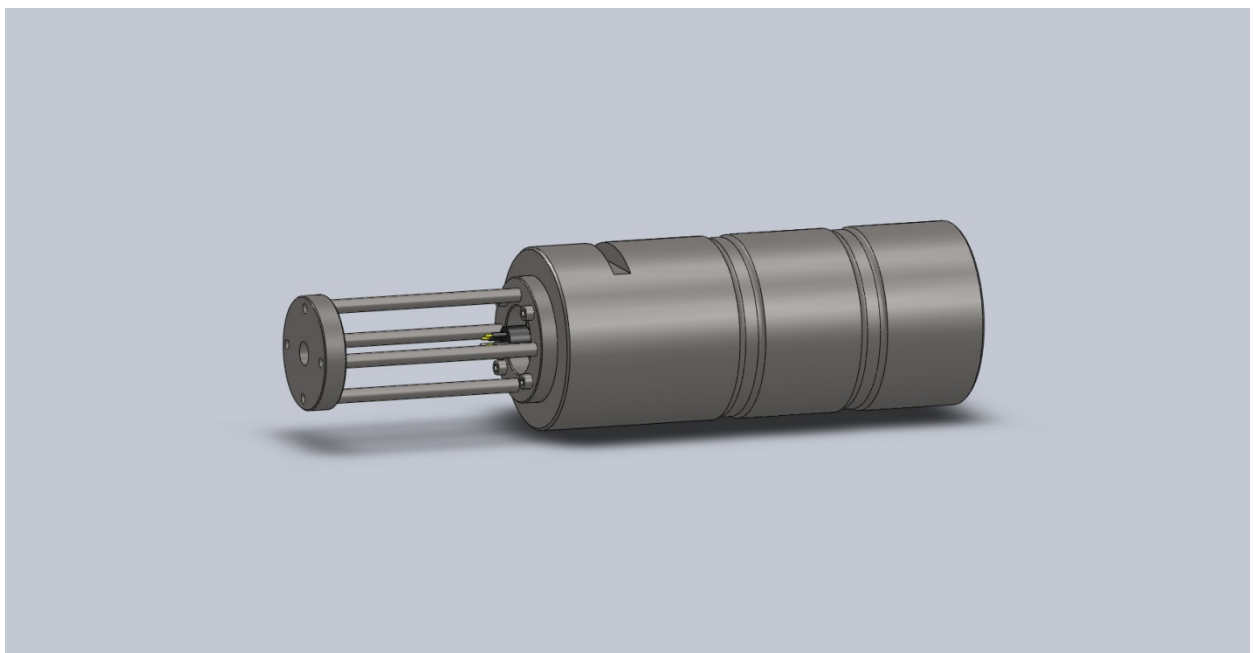


2900 Marine Load Pin

Pin Load Cell

- Range 5 to 500te
- Stainless steel pin.
- Rugged and easily employed
- Sealed to IP67



Description

The 2900 marine load pin series of load cells are designed for measuring loads using a double shear strain gauged shear pin. The range is from 5 tonne to 500tonne, with other capacities available by request. The load pin is manufactured from high strength stainless steel and fitted with stainless steel anti-rotation plate. The load cell is used for both temporary and permanent tension or compressive applications, or for mooring loads etc, particularly in rugged and harsh conditions. It can be also used at the dead end of a rope such as a winch or crane.

Specification

ELECTRICAL

- Recommended excitation 10 Vdc.
- Maximum excitation 15 Vdc.
- Output at rated load 2.0mV/V
- Zero balance 5% of RL
- Input impedance 700ohms +/-20
- Output impedance 700ohm +/-3
- Insulation $>10^9$ ohms
- Compensation temp range 10 to 60 C
- Safe temp range -30 to 70 C

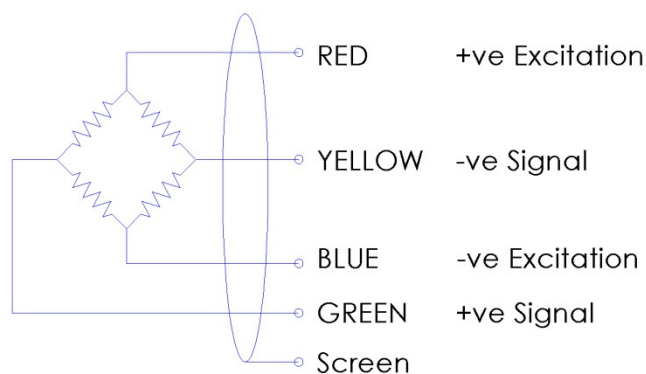
MECHANICAL

- Safe overload 150% of RL
- Ultimate overload 300% of RL
- Deflection <0.5 mm
- Cable type 4 core screened
- Cable length 10 M
- Sealed IP67

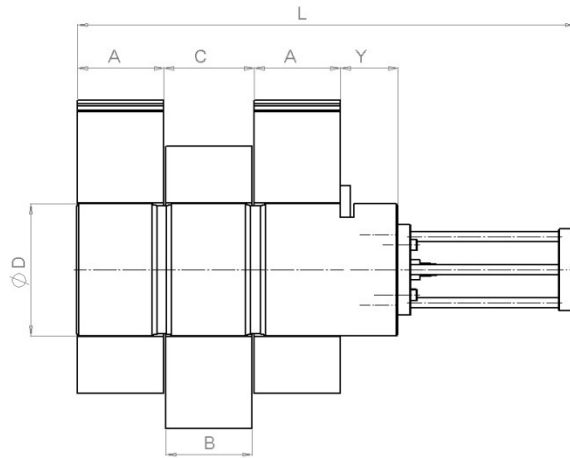
Accuracy

- Non linearity & hysteresis 1.0%
- Non repeatability <0.25 %
- Zero return (after 30 mins). 0.05%
- Temp effect/10deg C on zero 0.02%
- Temp effect/10deg C on span 0.02%

Wiring



Drawing



Dimensions

RATING	A	B	C	D	L	Y	Remarks
te	mm	mm	mm	mm	mm	mm	

PLEASE ADD ANY SPECIAL NOTES

Additional Notes

Specification may change without notice